

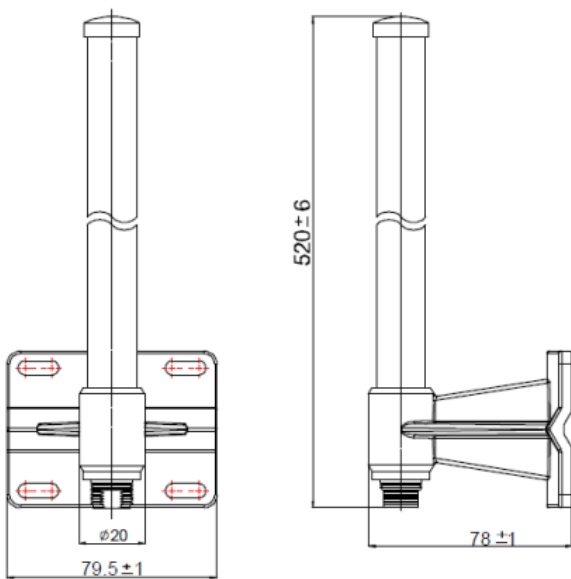
### Electrical Specifications

• Frequency Range	5.1 – 5.9 GHz
• Gain	9 dBi
• Polarization	Linear, Vertical
• Horizontal Beamwidth	360°
• Vertical Beamwidth	7~10°
• VSWR	1.5
• Impedance	50 Ω
• Power Handling	6 W (Max.)

### Environmental and Mechanical Specifications

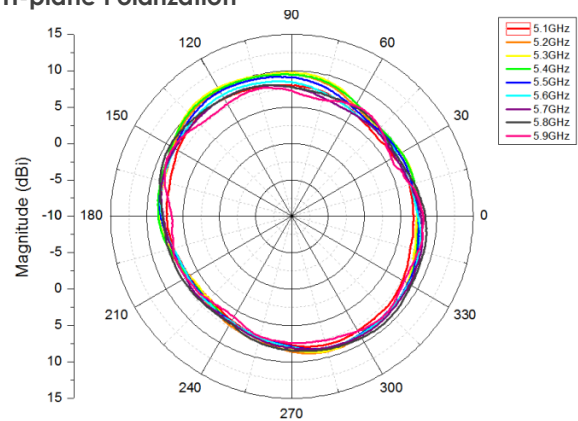
• Temperature	-20 °C to +80 °C
• Radome Color	Gray
• Radome Material	Fiberglass, UV resistant
• Weight	270 g
• Dimensions	520 x Ø20 mm
• Connector	N-female

### Dimensions Diagram

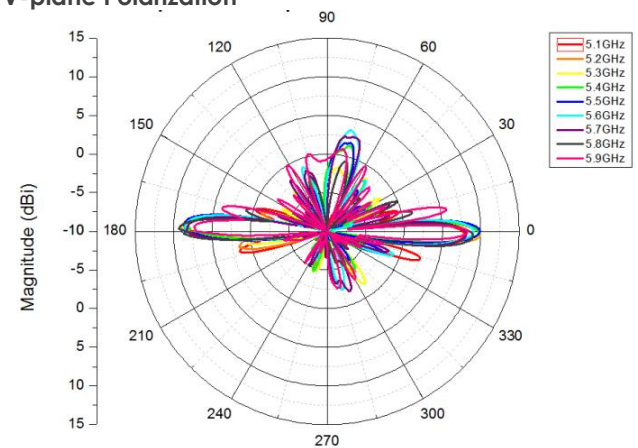


### Antenna Patterns

#### H-plane Polarization



#### V-plane Polarization



### Product Ordering Information

- 5 GHz 9 dBi Omni Antenna (Part No.: NS.AN-5M09-SA)

#### Contact Us

- Email: [sales@altaitechnologies.com](mailto:sales@altaitechnologies.com)

Although Altai has attempted to provide accurate information in these materials, Altai assumes no legal liability for the accuracy and completeness of the information. All specifications are subject to change without notice.