

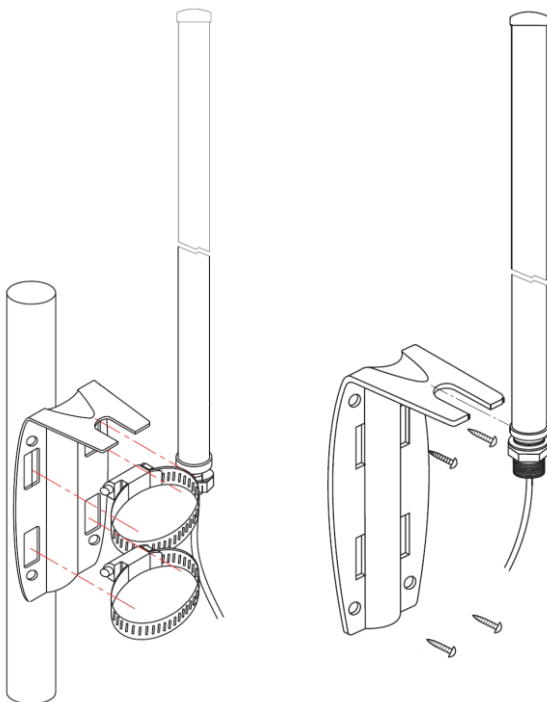
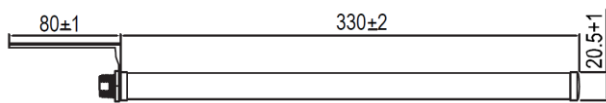
Electrical Specifications

• Frequency Range	2.4 – 2.5 GHz
• Gain	5 dBi
• Polarization	Linear, Vertical
• Horizontal Beamwidth	360° (-3 dB)
• Vertical Beamwidth	32° (-3 dB)
• Downtilt	0°
• VSWR	2 (Max.)
• Impedance	50 Ω
• Power Handling	20 W (cw)

Environmental and Mechanical Specifications

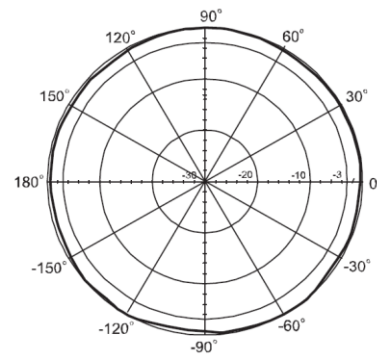
• Temperature	-40 °C to +80 °C
• Humidity	95% at 55 °C
• Wind Loading	Up to 216 km/h (134 mph)
• Radome Color	Gray
• Radome Material	Fiberglass, UV Resistant
• Weight	800 g
• Dimensions	330 x Ø19 mm
• Cable Length	30 cm, ULA198(B)
• Connector	N-female
• Mounting Type	Pole or Wall-mounted
• Pole Diameter	Ø51 to 89 mm (Ø2 to 3.5 in)

Dimensions and Mounting Diagrams

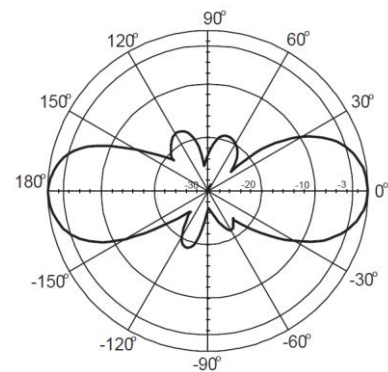


Antenna Patterns

H-plane Co-polarization



V-plane Co-polarization



Product Ordering Information

- 2.4 GHz 5 dBi Omni Antenna, N-female, with mounting (Part No.: SD.AN-2M5F-00)

Contact Us

- Email: sales@altaitechnologies.com

2M5F-AN-221026

Although Altai has attempted to provide accurate information in these materials, Altai assumes no legal liability for the accuracy and completeness of the information. All specifications are subject to change without notice.