

Product Overview

The NS.MS-0001-PT is a cost-effective and essential component engineered to provide reliable surge protection for Altai outdoor WLAN systems. Designed to withstand challenging environments, it can protect outdoor APs and indoor network devices from sudden power surges induced by lightning strikes over Ethernet cables.

Key Features

- Compatible with all Altai products
- Data and PoE passthrough support, including 802.3af/at/bt
- *Up to 1Gbps of Ethernet speed
- Up to 60W of PoE power

*The actual data rate may vary depending on the length of the Ethernet cable used, the category of the cable, and the capability of the devices that are connected.



1. Equip Port: To a protected device
2. Line Port
3. Grounding Points
4. Mounting Holes

Interfaces

- 1 x RJ45 Port (Equip)
- 1 x RJ45 Port (Line)
- 2 x Grounding Points

Input and Output

- Data Rate 10/100/1000Mbps
- Max Operating Voltage 60VDC
- Max Operating Current 0.68A for 2 pairs
1.36A for 4 pairs

Surge Protection

- Protected Line All wires (1-8)
- Discharge Current 20kA @ 8/20 μ s (2.5kA per line)
- Common Mode Protection 10kV (10/700 μ s)
- Differential Mode Protection 6kV (10/700 μ s)
- Clamping Voltage 120V (Line to GND)
25V (Line to Line)

Mechanical Specifications

- Enclosure Material Aluminium Alloy
- Enclosure Color White
- Mounting Pole-mounted (Φ 2"-2.5")
- IP Rating IP67
- Dimensions 209 x 53 x 37.5mm (Without Mounting Kit)
- Weight 380g (Without Mounting Kit)

Environment

- Operating Temperature -40 to +65°C
- Storage Temperature -40 to +85°C
- Operating Humidity 20 to 80% RH, Non-Condensing
- Storage Humidity 10 to 95% RH, Non-Condensing

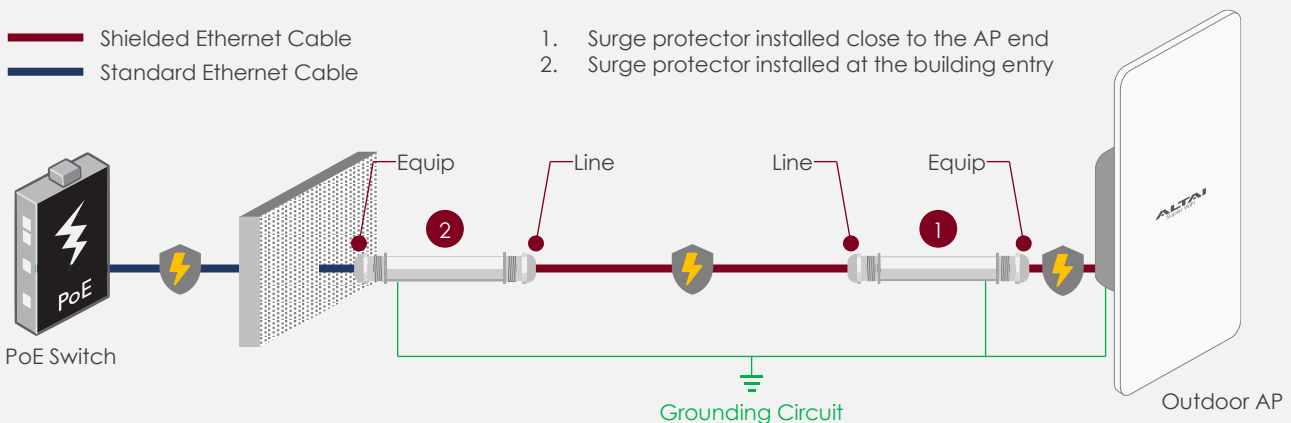
Compliance

- CE
- RoHS
- EN55032
- EN55035
- IEC 61000-4-2 (ESD)
- IEC 61000-4-3 (RS)
- IEC 61000-4-4 (EFT)
- IEC 61000-4-5 (Surge)
- IEC 61000-4-6 (CS)

Connection Diagram

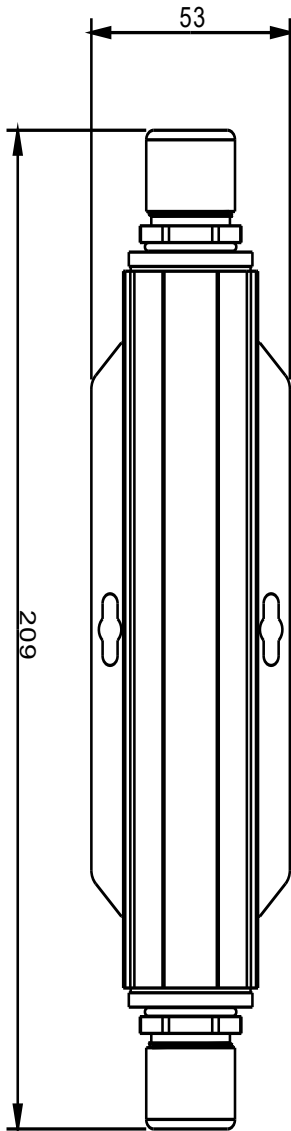
- Shielded Ethernet Cable
- Standard Ethernet Cable

1. Surge protector installed close to the AP end
2. Surge protector installed at the building entry

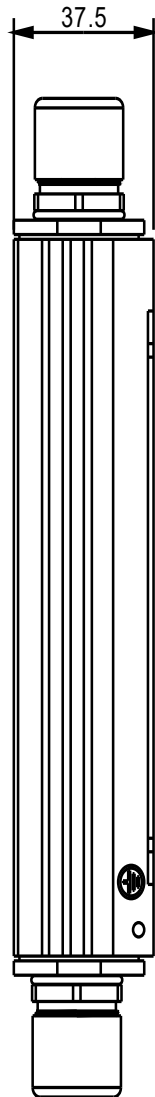


Product Drawings

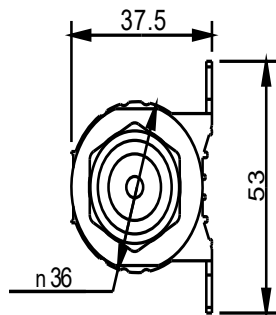
- Surge Protector



Front View

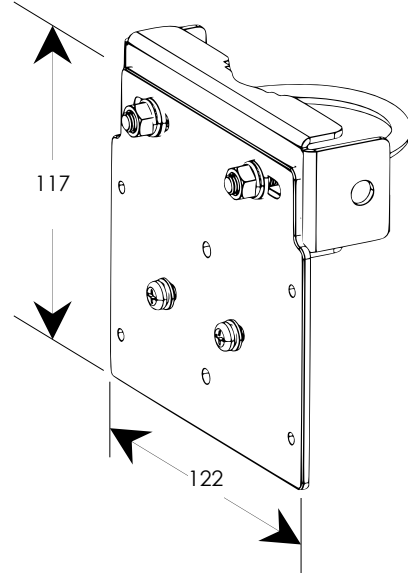


Side View



Top/Bottom View

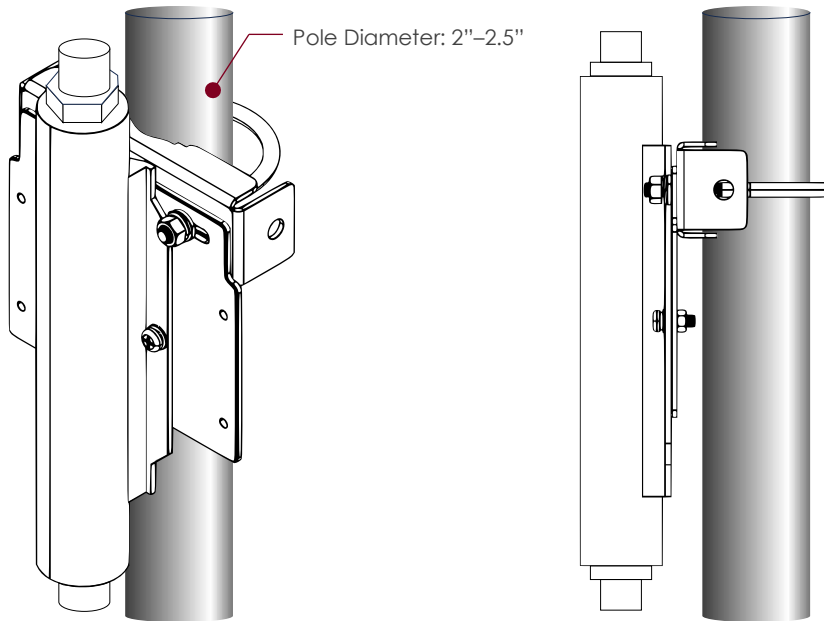
- Mounting Kit



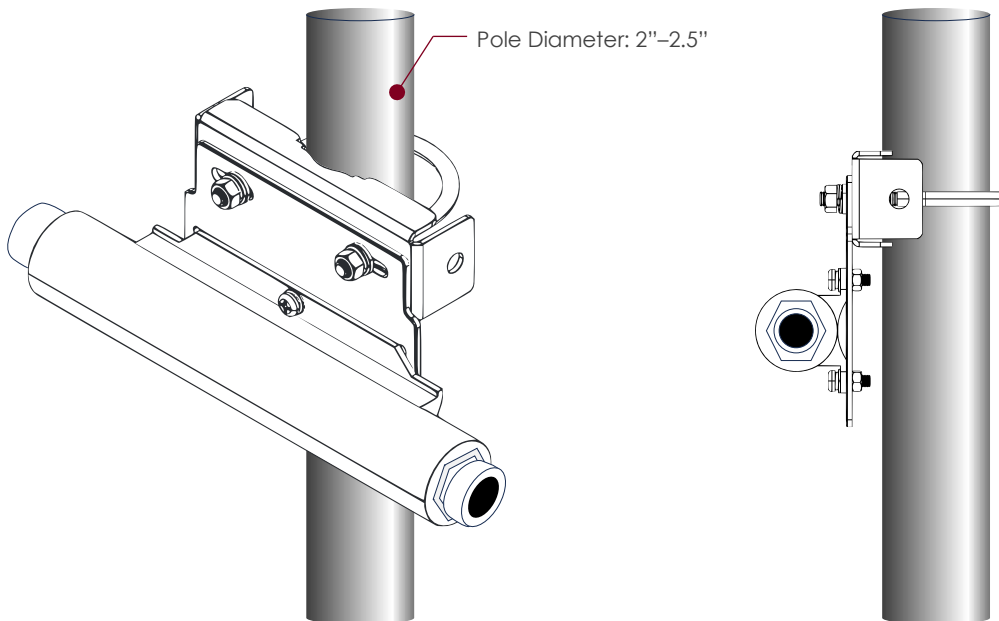
* Dimensions are in mm.

Installation

- Vertical Alignment



- Horizontal Alignment



Product Ordering Information

Part No.: NS.MS-0001-PT

- Outdoor 60W Gigabit Ethernet Surge Protector with Mounting Kit
- Ground wire (AWG: 16) and ground screw included

Part No.: NS.MS-0004-00

- Outdoor 60W Gigabit Ethernet Surge Protector
- Ground wire (AWG: 16) and ground screw included

Contact Us

- Email: sales@altaitechnologies.com

MS-PB-230913

The information contained herein is subject to change without prior notice.