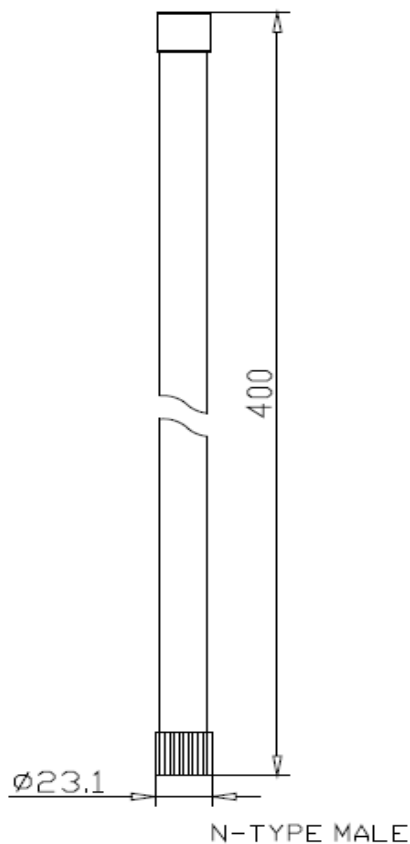


**Electrical Specifications**

- Frequency Range 5.1~5.9 GHz
- Gain 9 dBi
- Polarization Linear
- Horizontal Beamwidth 360°
- Vertical Beamwidth 10°
- Downtilt 0°
- VSWR 1.3 (Max.)
- Impedance 50 Ω
- Power Handling 15 W (cw)

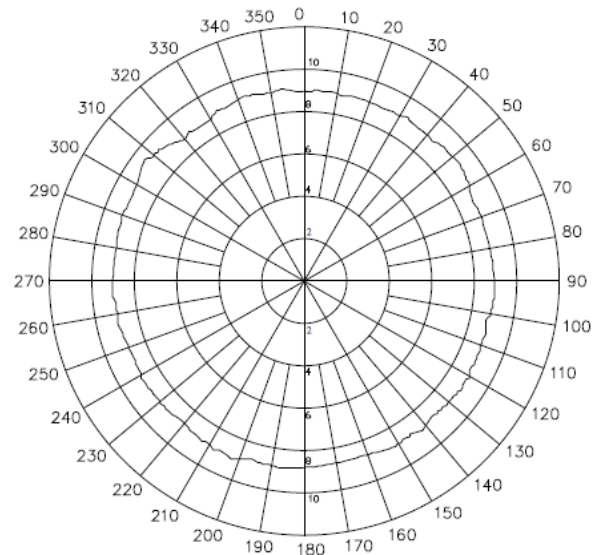
**Environmental and Mechanical Specifications**

- Temperature -20 °C to +60 °C
- Wind Loading Up to 216 km/h (134 mph)
- IP Rating IP66
- Radome Color white
- Radome Material Fiberglass, UV Resistant
- Weight 175 g
- Dimensions 400 x Ø35 mm
- Connector N-male

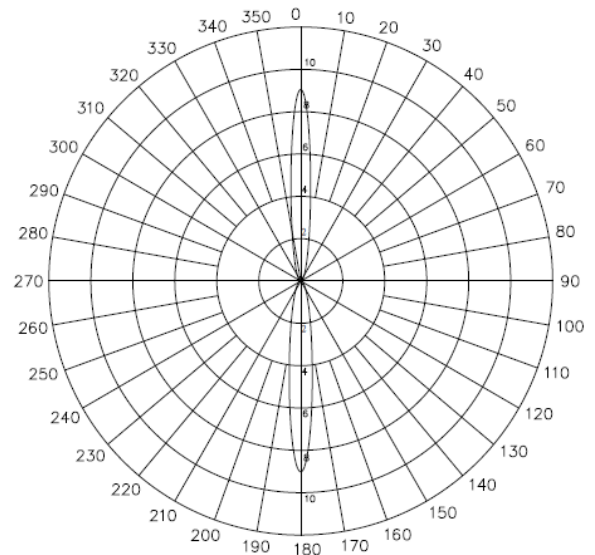


**Antenna Patterns**

**H-plane Co-polarization**



**V-plane Co-polarization**



**Product Ordering Information**

- 5GHz, 9 dBi, Omni antenna with N-Male connector (Part No.: SD.AN-5M109-SA)

**Contact Us**

- Email: [sales@altaitechnologies.com](mailto:sales@altaitechnologies.com)

Although Altai has attempted to provide accurate information in these materials, Altai assumes no legal liability for the accuracy and completeness of the information. All specifications are subject to change without notice.