

Electrical Specifications

- Frequency Range 5.100 – 5.900 GHz
- Antenna Gain 9 dBi
- Polarization Linear, Vertical
- Horizontal Beamwidth 360°
- Vertical Beamwidth 7° – 10°
- Electrical Downtilt 0°
- VSWR < 2.0
- Impedance 50 Ω
- Power Handling 6 W (Max.)

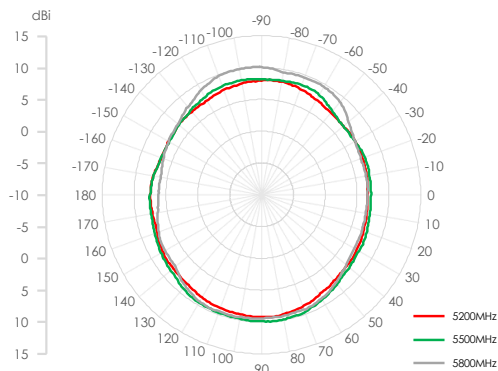
Physical Specifications

- Dimensions 80 x 78 x 520 mm
- Weight 270 g
- Radome Color Gray
- Radome Material Fiberglass, UV Resistant
- Connector N-Type Female
- Installation Pole mount (Ø2 - 2.5 inches), or Wall mount

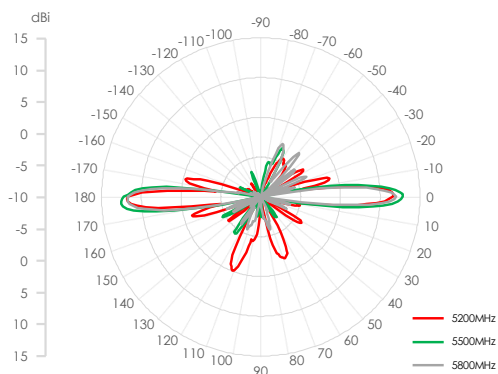
Environmental Specifications

- Operating Temperature -40 °C to +80 °C
- Humidity 95 % @ 55 °C (Non-Condensing)
- Survival Wind Speed 216 km/hr

Radiation Patterns

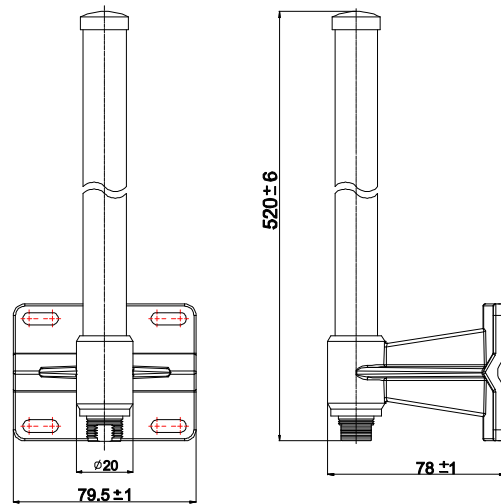


Azimuth Plane

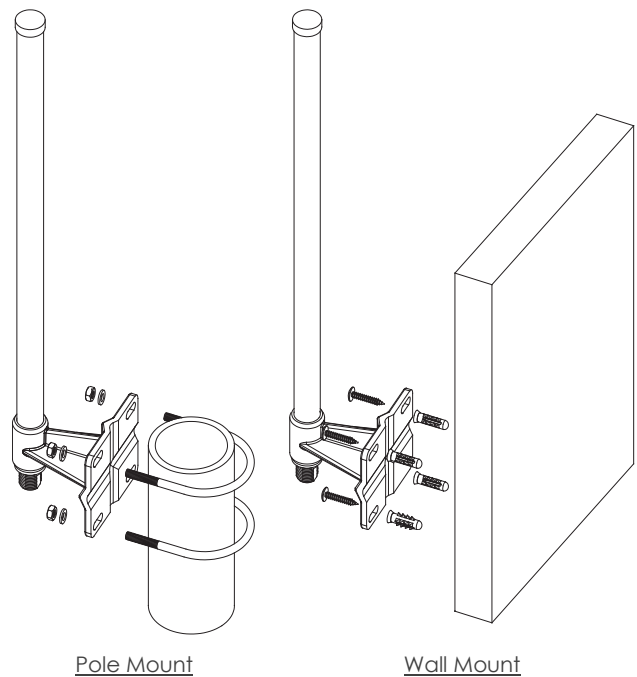


Elevation Plane

Dimensions



Installation



Product Ordering Information

Part No.: NS.AN-5M09-SA

- 5 GHz 9 dBi Omni-Directional Antenna with N-Female Connector
- Pole and Wall Mount Accessories

Contact Us

- Email: sales@altaitechnologies.com or info@altaitechnologies.com

AN5M09-PB-231215

The information contained herein is subject to change without prior notice.