

# 5 GHz 22 dBi Panel Antenna

Data Sheet | SD.AN-5P22-KB



## Electrical Specifications

- Frequency Range 4.900 ~ 6.100 GHz
- Antenna Gain 20.5 dBi @ 4.900 ~ 5.150 GHz  
22.0 dBi @ 5.150 ~ 5.500 GHz  
23.0 dBi @ 5.500 ~ 6.100 GHz
- Polarization Vertical & Horizontal, or  
 $\pm 45^\circ$  Polarized by Antenna Rotation
- Horizontal Beamwidth 12° (-3 dB) @ 4.900 ~ 5.150 GHz  
11° (-3 dB) @ 5.150 ~ 5.500 GHz  
10° (-3 dB) @ 5.500 ~ 6.100 GHz
- Vertical Beamwidth 12° (-3 dB) @ 4.900 ~ 5.150 GHz  
11° (-3 dB) @ 5.150 ~ 5.500 GHz  
10° (-3 dB) @ 5.500 ~ 6.100 GHz
- Electrical Tilt 0°
- VSWR 2 (Max.)
- Front-to-Back Ratio 28 dB (Min.)
- Isolation 28 dB (Min.)
- Impedance 50  $\Omega$
- Power Handling 50 W (Max.)
- Lightning Protection DC Ground

## Physical Specifications

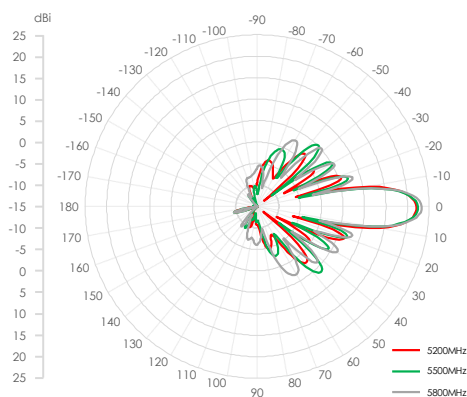
- Dimensions 315 x 315 x 15 mm
- Weight 1 Kg (without Mounting Bracket)
- Radome Color White/Gray
- Radome Material ABS, UV Resistant
- Connector 2 x N-Type Female
- Installation Pole Mount ( $\varnothing 30 \sim 65$  mm)
- Mechanical Tilt -20° ~ +20° (V/H Polarized)  
-22° ~ +27° ( $\pm 45^\circ$  Polarized)

## Environmental Specifications

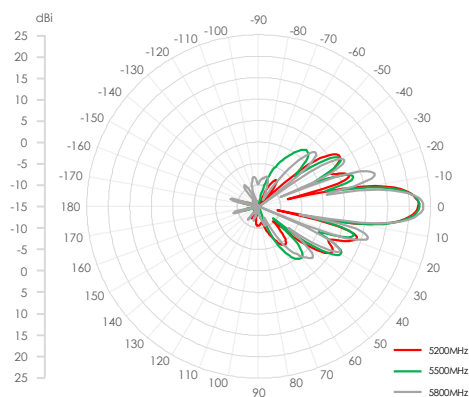
- Operating Temperature -40 °C ~ +75 °C
- Wind Loading 216 km/hr (134 mph)
- Weatherproof IP57 Compliant



## Radiation Patterns



Azimuth Plane



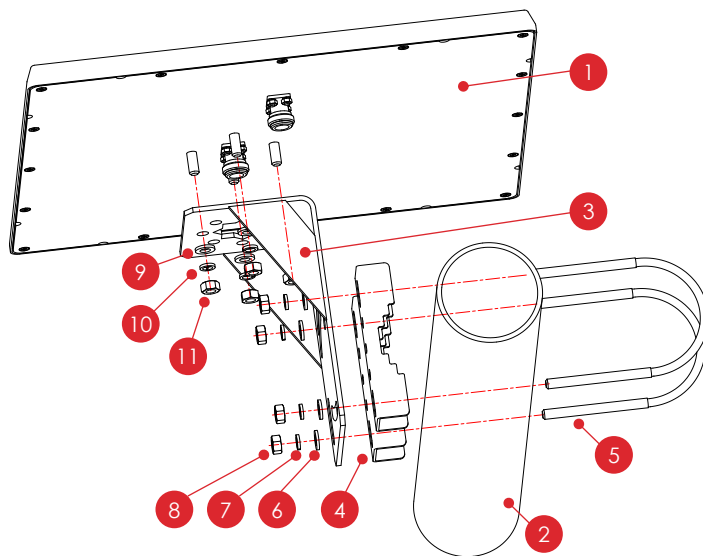
Elevation Plane

# 5 GHz 22 dBi Panel Antenna

Data Sheet | SD.AN-5P22-KB

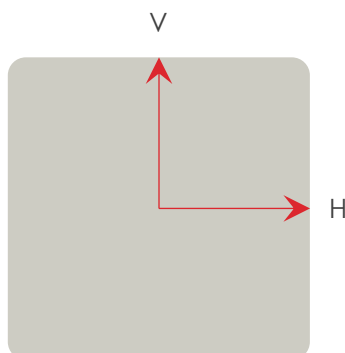
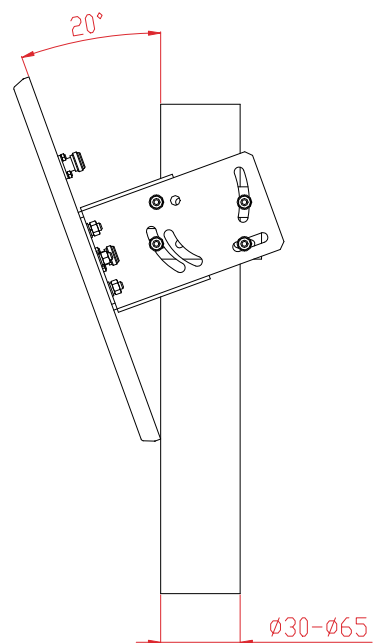
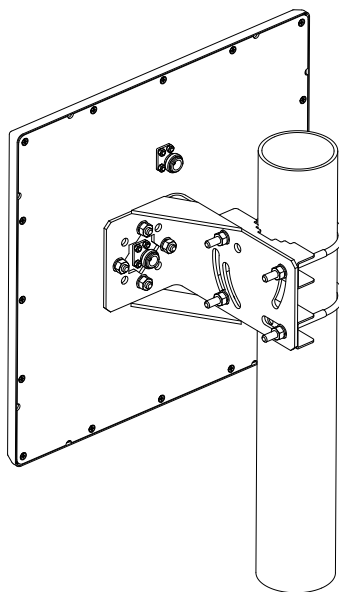


## Installation

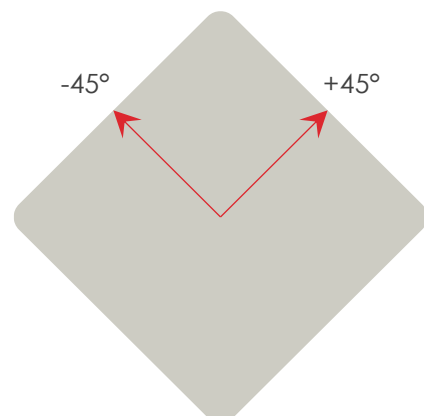


1	Antenna	1 pc
2	Pole* (Ø30 ~ 65 mm)	1 pc
3	L-Shaped Bracket	1 pcs
4	Clamp	2 pcs
5	U-Bolt	2 pcs
6	M6 Flat Washer (for U-bolt)	4 pcs
7	M6 Spring Washer (for U-bolt)	4 pcs
8	M6 Nut (for U-bolt)	4 pcs
9	M6 Flat Washer (for Antenna)	4 pcs
10	M6 Spring Washer (for Antenna)	4 pcs
11	M6 Nut (for Antenna)	4 pcs

\* The pole is shown for an illustration purpose only. It is not included in the package.



Vertical/Horizontal Polarization Alignment



±45° Polarization Alignment

# 5 GHz 22 dBi Panel Antenna

Data Sheet | SD.AN-5P22-KB



Product Ordering Information	
<b>Standard Package</b>	
Part No.: SD.AN-5P22-KB	<ul style="list-style-type: none"><li>• 5 GHz 22 dBi Panel Antenna</li><li>• Pole Mount Accessories</li></ul>
<b>Optional Accessories</b>	
Part No.: SD.CA-RF02-00	<ul style="list-style-type: none"><li>• 2-Meter N-Male to N-Male RF Cable</li></ul>
Part No.: SD.CA-RF02-LS-00	<ul style="list-style-type: none"><li>• 2-Meter N-Male to N-Male LSZH RF Cable</li></ul>
Part No.: SD.CG-0002-WS	<ul style="list-style-type: none"><li>• 3-Meter N-Male to N-Male LSZH RF Cable with Pre-Fabricated Explosion-Proof Cable Gland</li></ul>
Part No.: SD.CA-SM01-00	<ul style="list-style-type: none"><li>• 1-Meter RP-SMA Male to N-Male RF Cable</li></ul>
Part No.: SD.CG-0001-WS	<ul style="list-style-type: none"><li>• 2-Meter RP-SMA Male to N-Male RF Cable with Pre-Fabricated Explosion-Proof Cable Gland</li></ul>
Part No.: SD.CA-SM01-00	<ul style="list-style-type: none"><li>• 1-Meter RP-SMA Male to N-Male RF Cable</li></ul>
<b>Contact Us</b>	
<ul style="list-style-type: none"><li>• Email: <a href="mailto:sales@altaitechnologies.com">sales@altaitechnologies.com</a> or <a href="mailto:info@altaitechnologies.com">info@altaitechnologies.com</a></li></ul>	

AN5P22-PB-241010

The information contained herein is subject to change without prior notice.