

**Electrical Specifications**

• Frequency Range	5.150 – 5.850 GHz
• Antenna Gain	16 dBi
• Polarization	2x2 MIMO ±45° Polarized
• Horizontal Beamwidth	60° (-3 dB), 100° (-6 dB)
• Vertical Beamwidth	8° (-3 dB)
• Electrical Downfilt	0°
• VSWR	2 (Max.)
• Front-to-Back Ratio	25 dB (Max.)
• Isolation	28 dB (Min.)
• Impedance	50 Ω
• Power Handling	50 W (Max.)
• Lightning Protection	DC Ground

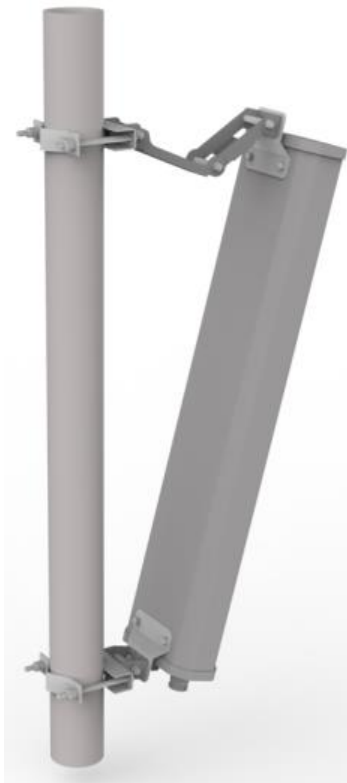
**Physical Specifications**

• Dimensions	420 x 135 x 45 mm
• Weight	1.5 Kg
• Radome Color	Gray
• Radome Material	PVC
• Connector	2 x N-Type Female
• Installation	Pole Mount (Ø42 – 100 mm) with Top and Bottom Mounting Kit
• Mechanical Downtilt	0 – 30°

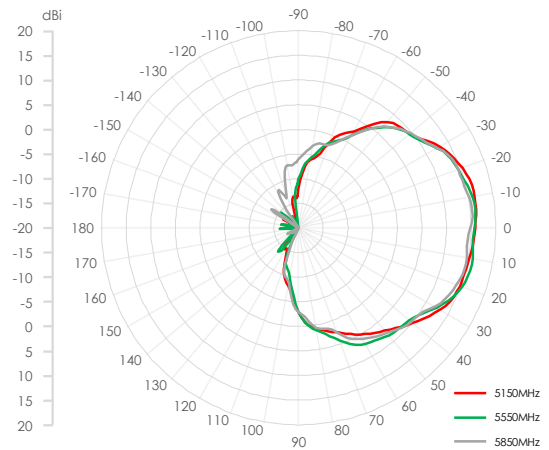
**Environmental Specifications**

• Operating Temperature	-40 °C to +60 °C
• Wind Loading	200 km/hr (124 mph)

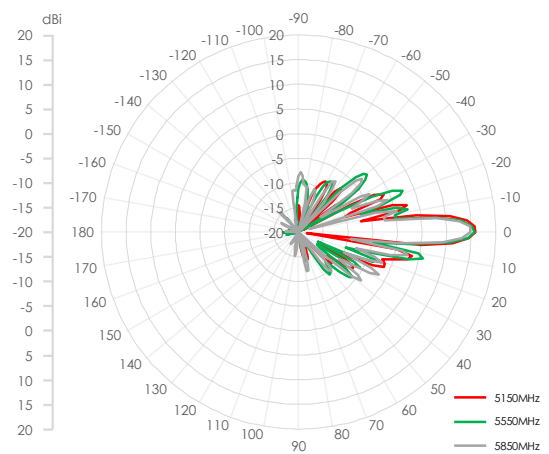
**Mounting Scenario**



**Radiation Patterns**

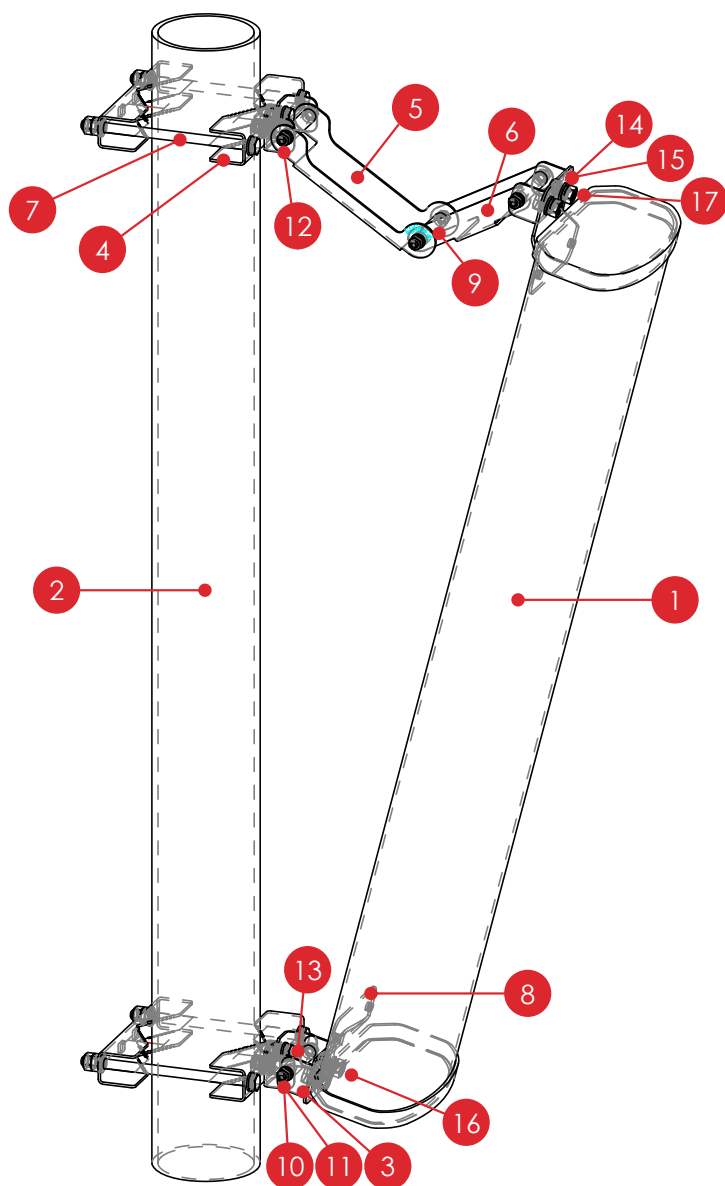


Azimuth Plane



Elevation Plane

**Installation**



1	Antenna	1 pc
2	Pole* (Ø42 – 100 mm)	1 pc
3	Antenna Bracket	4 pcs
4	Clamp	4 pcs
5	Upper Arm	1 pc
6	Lower Arm	1 pc
7	M8 x 130 mm	4 pcs
8	Fixing Frame	2 pcs
9	M8 x 70 mm	4 pcs
10	M6 Flat Washer	4 pcs
11	M6 Spring Washer	4 pcs
12	M6 Nut	4 pcs
13	Isolation Pipe	4 pcs
14	M8 Flat Washer	24 pcs
15	M8 Spring Washer	8 pcs
16	M8 Nut	16 pcs
17	M8 x 16 mm	8 pcs

Recommended Torque: M6: 4 N·m; M8: 9 N·m  
Max. Torque: M6: 8 N·m; M8: 15 N·m

\* The pole is shown for an illustration purpose only. It is not included in the package.

**Product Ordering Information**

**Standard Package**

Part No.: NS.AN-5S16-00

- 5 GHz 16 dBi Sector Antenna
- Pole Mount Accessories

**Contact Us**

- Email: [sales@altaitechnologies.com](mailto:sales@altaitechnologies.com) or [info@altaitechnologies.com](mailto:info@altaitechnologies.com)

AN5S16-PB-240817

The information contained herein is subject to change without prior notice.